

# SMALL SEMICONDUCTOR HEATER

RC 016 | 8 W, 10 W, 13 W



- > Wide voltage range
- > Energy saving
- > Dynamic heating up
- > Compact

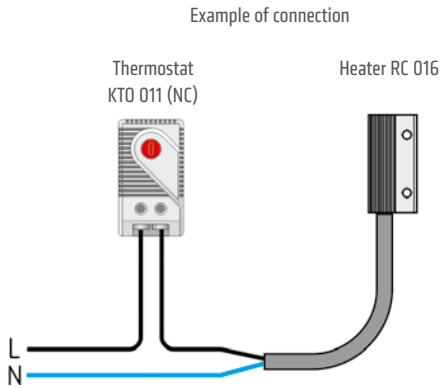
These small heaters are designed to prevent condensation and to ensure a minimum operating temperature in small enclosures. The heaters are designed for permanent operation.



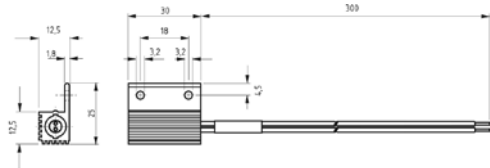
**TECHNICAL DATA**

Operating voltage	AC/DC 120 – 240 V <sup>1</sup> (min. 110 V, max. 265 V)
Heating element	PTC resistor – temperature limiting
Heater body	aluminium, anodised
Mounting	screw fixing
Fitting position	variable
Operating/Storage temperature	-45 to +70 °C (-49 to +158 °F)
Operating/Storage humidity	max. 90 % RH (non-condensing)
Protection type/Protection class	IP54 / II (double insulated)
Approvals	VDE, UL File No. E150057 (according to UL 508A, NITW File on request), EAC
Note	other voltages on request

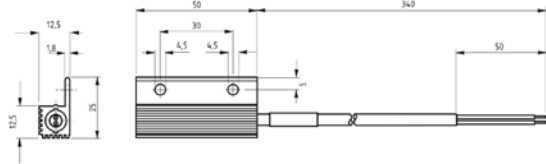
<sup>1</sup> Operating with voltages below AC/DC 140 V reduces heating performance by approx. 10 %.



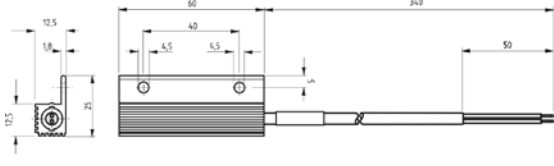
Art. No. 01602.0-00



Art. No. 01609.0-00



Art. No. 01610.0-00



Art. No.	Heating capacity <sup>2</sup>	Inrush current max.	Recommended pre-fuse T (time-delay)	Surface temperature (approx.)	Connection	Weight (approx.)
01602.0-00	8 W	2.0 A	2.0 A	+150 °C	2 x AWG 18 stranded wire	20 g
01609.0-00	10 W	2.5 A	4.0 A	+155 °C	2 x AWG 22 cable (silicone)	30 g
01610.0-00	13 W	3.0 A	4.0 A	+170 °C	2 x AWG 22 cable (silicone)	40 g

<sup>2</sup> at +20 °C (+68 °F) ambient temperature