

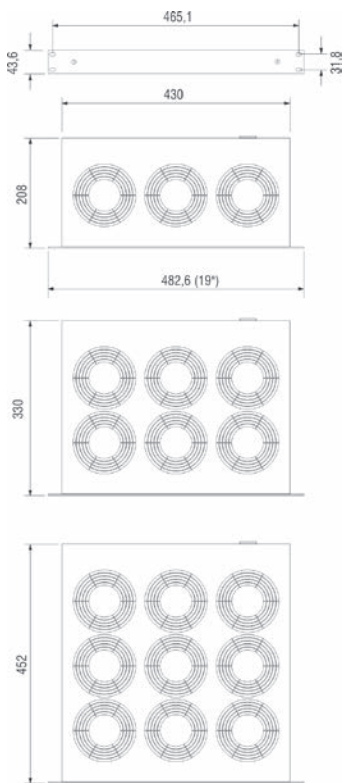
HIGH-PERFORMANCE 19" FAN TRAY

LE 019



- > High air output
- > Long service life
- > Ball bearing fans
- > Ready for connection
- > Optical function indicator

Compact high performance fan tray for enforced circulation of air in switch and server enclosures and for concerted cooling of 19" component groups. Natural convection is improved and the formation of localised hot pockets is avoided. Also available with integrated thermostat (see photo).



TECHNICAL DATA

Axial fans, ball bearing	service life 50,000h at +25°C (+77°F), 65% RH
Material	front panel aluminium, bright anodised casing steel sheet, electrogalvanized
Optical indicator	integrated in front panel
Connection	appliance power inlet on rear of casing, plug included
Fitting position	vertical airflow (air outlet up)
Operating/Storage temperature	-10 to +60°C (+14 to +140°F) / -40 to +70°C (-40 to +158°F)
Operating/Storage humidity	max. 90% RH (non-condensing)
Protection type/Protection class	IP20 / I (earthed)

Use in 19" enclosures: We recommend using the fan tray without integrated thermostat in combination with our dual thermostat (ZR 011 Art. No. 01176.0-00) for regulating temperature in electronic enclosures and for protection against over-heating due to possible fan failure.

The dual thermostat regulates the operation of the fan tray and – when connected to a signal device – also triggers an early warning if the enclosure interior temperature rises above a set limit. When using a fan tray with integrated thermostat, the use of an additional thermostat (KTS 011 Art. No. 01147.9-00) provides the extra safety of activating a signal device.

Art. No.	Thermostat	No. of fans	Operating voltage	Air volume, free flow	Power consumption	Average noise level (DIN EN ISO 4871)	Speed (rpm)	Weight (approx.)	Approvals	
01930.0-00	without	3	230VAC, 50Hz	486m ³ /h	45W	55db (A)	2600 rpm (50Hz)	3.0kg	UL File No. E234324	EAC
01930.1-00	0 to +60°C	3	230VAC, 50Hz	486m ³ /h	45W	55db (A)	2600 rpm (50Hz)	3.4kg	UL File No. E234324	EAC
01940.0-00	without	6	230VAC, 50Hz	972m ³ /h	90W	57db (A)	2600 rpm (50Hz)	5.3kg	UL File No. E234324	EAC
01940.1-00	0 to +60°C	6	230VAC, 50Hz	972m ³ /h	90W	57db (A)	2600 rpm (50Hz)	5.7kg	UL File No. E234324	EAC
01950.0-00	without	9	230VAC, 50Hz	1458m ³ /h	135W	58db (A)	2600 rpm (50Hz)	7.8kg	UL File No. E234324	EAC
01950.1-00	0 to +60°C	9	230VAC, 50Hz	1458m ³ /h	135W	58db (A)	2600 rpm (50Hz)	7.9kg	-	EAC
01931.0-00	without	3	120VAC, 60Hz	576m ³ /h	45W	55db (A)	2900 rpm (60Hz)	3.0kg	UL File No. E234324	EAC
01931.1-00	0 to +60°C	3	120VAC, 60Hz	576m ³ /h	45W	55db (A)	2900 rpm (60Hz)	3.4kg	UL File No. E234324	EAC
01941.0-00	without	6	120VAC, 60Hz	1152m ³ /h	90W	57db (A)	2900 rpm (60Hz)	5.3kg	UL File No. E234324	EAC
01941.1-00	0 to +60°C	6	120VAC, 60Hz	1152m ³ /h	90W	57db (A)	2900 rpm (60Hz)	5.7kg	-	EAC
01951.0-00	without	9	120VAC, 60Hz	1728m ³ /h	135W	58db (A)	2900 rpm (60Hz)	7.8kg	UL File No. E234324	EAC
01951.1-00	0 to +60°C	9	120VAC, 60Hz	1728m ³ /h	135W	58db (A)	2900 rpm (60Hz)	7.9kg	-	EAC