

SPACE-SAVING FAN HEATER

HV 031 / HVL 031 | 100 W to 400 W



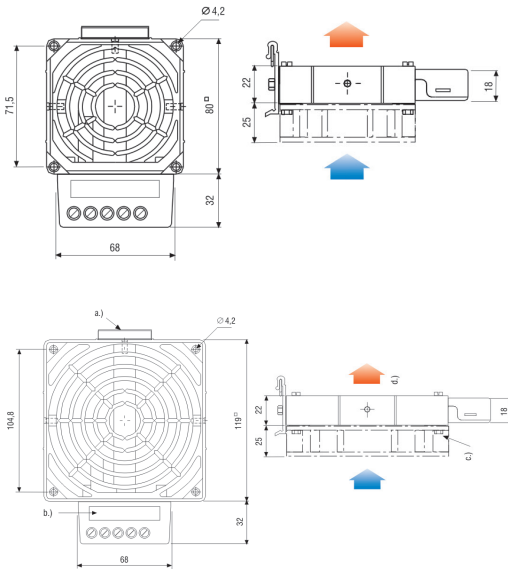
- > Compact
- > Flat design
- > High air through-flow
- > Temperature safety cut-out
- > Clip fixing

Compact high-performance fan heater prevents formation of condensation and frost and provides an evenly distributed interior air temperature in enclosures with electric/electronic components. This fan heater may only be operated together with a fan but is also available without fan for self-assembly (HV 031) and with pre-configured fan (HVL 031).



TECHNICAL DATA

HV 031	Heater without fan (fan mounting kit included)
HVL 031	Heater with fan
Heating element	high performance cartridge
Temperature safety cut-out	to protect against overheating in case of fan failure, automatic reset
Heater body	die-cast aluminium (glass bead blasted)
Connection	3-pole screw connector 2.5 mm ² , clamping torque 0.8 Nm max.
Connection casing	plastic according to UL94 V-0, black
Mounting	clip for 35 mm DIN rail, EN 60715
Fitting position	vertical airflow (air outlet up)
Operating/Storage temperature	-45 to +70 °C (-49 to +158 °F)
Operating/Storage humidity	max. 90 % RH (non-condensing)
Protection type/Protection class	IP20 / I (earthed)
Approvals	UL File No. E234324, EAC VDE only: 230 V
HVL 031 only:	
Axial fan, ball bearing	airflow see table service life 50,000 h at +25 °C (+77 °F)
Connection (axial fan)	2-pole screw connector 2.5 mm ² (L2/N2)



- a.) Clip
- b.) Type plate
- c.) Axial fan
- d.) Air direction



Important note: Heater may only be operated together with fan.
Danger of overheating!

Art. No. HV 031 AC 230 V, 50/60 Hz	Art. No. HV 031 AC 120 V, 50/60 Hz	Heating capacity	Recommended pre-fuse T (time-delay)		Dimensions	Weight (approx.)
			AC 230 V	AC 120 V		
03100.0-00	03100.9-00	100 W	1.0 A	2.0 A	80 x 112 x 22 mm	0.4 kg
03101.0-00	03101.9-00	150 W	1.25 A	2.5 A	80 x 112 x 22 mm	0.4 kg
03110.0-00	03110.9-00	200 W	2.0 A	3.0 A	119 x 151 x 22 mm	0.5 kg
03111.0-00	03111.9-00	300 W	2.0 A	4.0 A	119 x 151 x 22 mm	0.5 kg
03112.0-00	03112.9-00	400 W	4.0 A	6.3 A	119 x 151 x 22 mm	0.5 kg

Art. No. HVL 031 AC 230 V, 50/60 Hz	Art. No. HVL 031 AC 120 V, 50/60 Hz	Heating capacity	Recommended pre-fuse T (time-delay)		Airflow min., free flow	Dimensions	Weight (approx.)
			AC 230 V	AC 120 V			
03102.0-00	03102.9-00	100 W	1.0 A	2.0 A	35 m ³ /h	80 x 112 x 47 mm	0.6 kg
03103.0-00	03103.9-00	150 W	1.25 A	2.5 A	35 m ³ /h	80 x 112 x 47 mm	0.6 kg
03113.0-00	03113.9-00	200 W	2.0 A	3.0 A	108 m ³ /h	119 x 151 x 47 mm	0.9 kg
03114.0-00	03114.9-00	300 W	2.0 A	4.0 A	108 m ³ /h	119 x 151 x 47 mm	0.9 kg
03115.0-00	03115.9-00	400 W	4.0 A	6.3 A	108 m ³ /h	119 x 151 x 47 mm	0.9 kg