

Pt-500-O(-PG)

Platinum measurement electrode



Pt-500-O(-PG)

Applications



Process Water



Waste Water Treatment



**Cooling And Boiler
Feed Water**

Description

Pt-500-O(-PG) is a single measuring electrode and can be used for ORP measurement.



Pt-500-O(-PG)

Platinum measurement electrode

Technical data

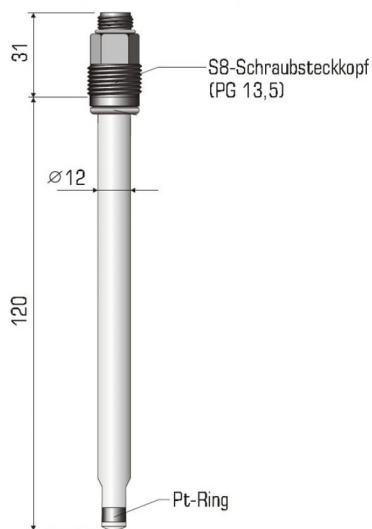
Measuring parameter

ORP -1500.. +1500 mV

Mechanical construction

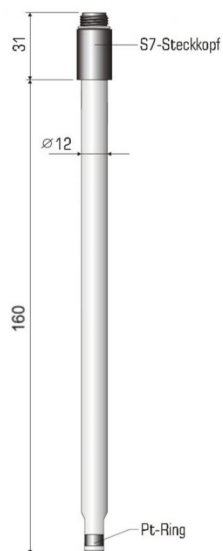
Shaft material	Glass
Electrode material	6 mm platinum ring (Pt-600-O) 3 mm platinum ring (Pt-600-O-PG)
Mechanical connection	S7 plug (Pt-600-O) S8 screw plug - PG 13,5 (Pt-600-O-PG)
Electrical connection	2 pole screw connection

Mechanical drawing



Pt-500-O(-PG)

Platinum measurement electrode



Storage version

Article number	Name	Description
24134000K	Pt-500-O	platinum electrode, S7 plug, 160 mm
24134010K	Pt-500-O-PG	platinum electrode, S8 plug (PG 13,5), 120 mm

