

AIU-305-30-PG

Conductive conductivity sensor

- Integrated temperature sensor Pt 100
- Flexible installation by 12 mm sensor design
- High chemical resistance by the use of gold and glass

Applications



Drinking Water / Beverages

Description

Conductive 2 electrode conductivity sensor. The sensor is made of glass and gold. A Pt 100 is integrated as temperature probe.



Au-305-30-PG

Conductive conductivity sensor

Technical data

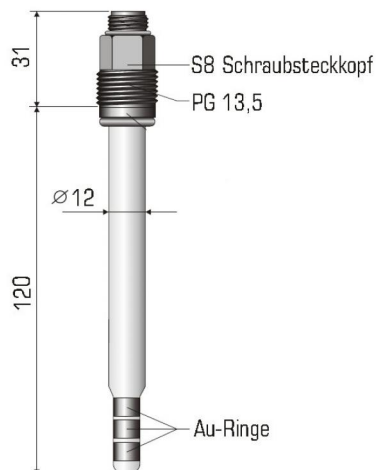
Measuring parameter

Conductivity (conductive) 0.000.. 1.000 mS/cm

Mechanical construction

Shaft material	Glass
Electrode material	Gold
Mechanical connection	PG 13,5
Electrical connection	M12 plug
Temperature sensor	Pt 100

Mechanical drawing



Au-305-3O-PG

Conductive conductivity sensor

Storage version

Article number	Name	Description
24134210K	Au-505-3O-PG	Conductivity sensor 12 mm sensor design

