

K 100 (W) DES

Measuring and control instrument for pH value or ORP

- Easy and save operation by plain text menu guidance
- Safety by password function



K 100 DES

Applications



Disinfection



Cooling And Boiler Feed Water



Process Water



Drinking Water / Beverages

Description

The K 100 (W) CL2 is a sophisticated single-channel instrument for measuring and control disinfectants like Chlorine, Chlorine dioxide, Ozone and Hydrogen Peroxide. Additionally temperature measurement of the measuring media is possible. The instrument is available in a panel mounted housing (K100) and in a wall mounted housing (K 100 W).

Particular characteristics

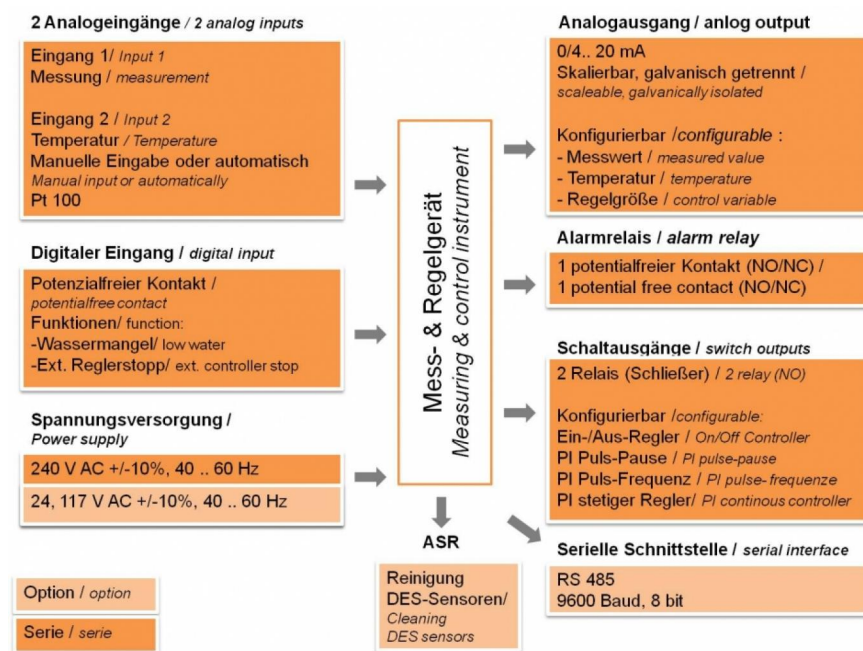
- Two limit values with delay, assigned to alarm relay
- Two separate PI-controllers
- Dosage check
- Automatic or manual pH-value compensation for pH
- Background illuminated two-line LC-Display for measured value and temperature
- Scaleable, galvanically isolated 0/4 .. 20 mA output
- Display of relay status and error messages
- Invertible alarm output, permanent or pulse contact
- OPTION: serial interface RS 485



K 100 (W) DES

Measuring and control instrument for pH value or ORP

Block diagram



Technical data

Measuring parameter

free Chlorine	0.. 4.00 mg/l
	0.. 20.00 mg/l
Chlorine Dioxide	0.. 4.00 mg/l
Ozone	0.. 4.00 mg/l
Hydrogen Peroxide	0.. 30.0 mg/l



K 100 (W) DES

Measuring and control instrument for pH value or ORP

Input characteristics

Temperature measuring range	-35.. +140°C (display range)
Temperature coefficient	Linear
Digital input	One as controller stop by external contact
Ambient conditions	Ph-range free Chlorine: pH 6.. 8, konstant Chlorine dioxide, Ozone, Peroxide: pH 6.. 9 Total Chlorine: pH 4.. 12
	Flow ~30.. 200 l/h
	Min. conductivity >150 µS/cm, with ASR > 200 µS/cm
	Temperature 0.. 50°C

Output characteristics

Alarm relay	1 potential-free NO contact, max. 250 V, 6 A, 550 VA
Output signal	1 x 0/4.. 20 mA (scaleable, galvanically isolated)
	Load max. 500 Ohm
	Registration range Free scaleable within the measuring range
Serial interface	RS 485
	Baud rate 9600 Baud
	Data format 8 bit

Power supply

Line voltage	24 / 117 / 230 VAC, +6 / -10 %, 40.. 60 Hz
Power consumption	10 VA

Controller

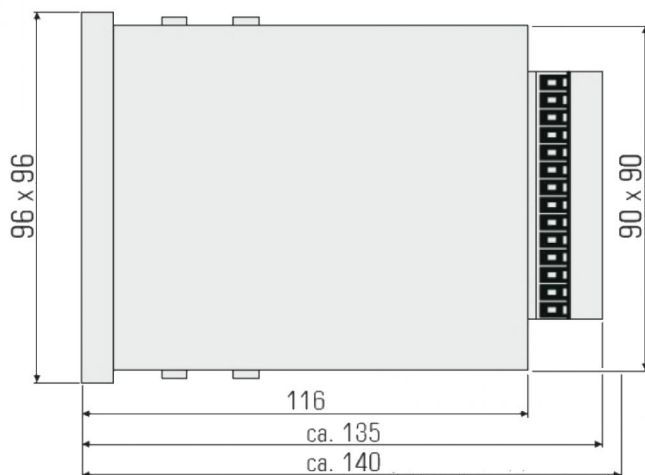
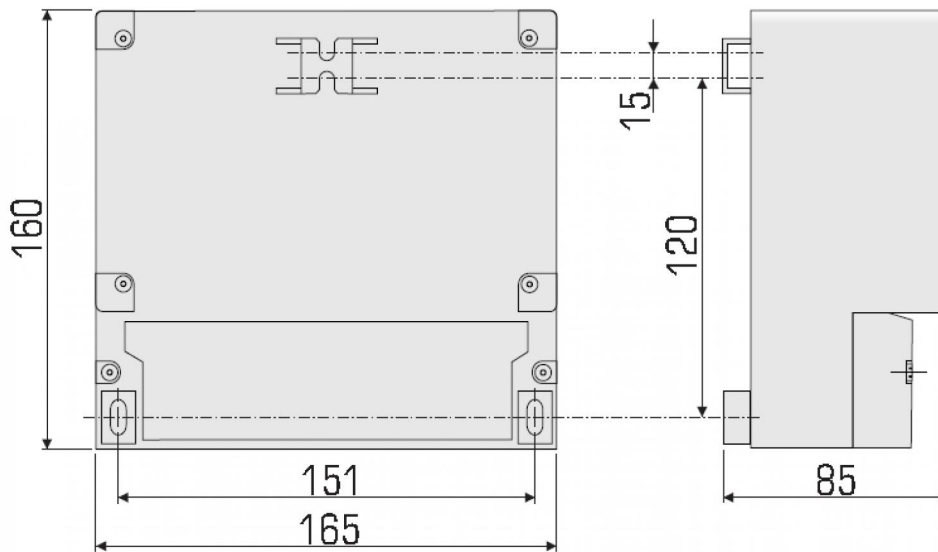
Control response	On/off controller (adjustable hysteresis) P/PI controller (pulse-pause, pulse-frequency or continuous output)
Relay	2 relays each with potential-free NO contact, max. 250 V, 6 A, 550 VA
Start delay	0.. 200 sec until controller active
Controller stop	digital input



K 100 (W) DES

Measuring and control instrument for pH value or ORP

Mechanical drawing



K 100 (W) DES

Measuring and control instrument for pH value or ORP

Storage version

Article number	Name	Description
100200K	K 100 Cl2	Free Chlorine, panel mounted, 230 V AC
100250K	K 100 ClO2	Chlorine dioxide, panel mounted, 230 V AC
100400K	K 100 O3	Ozone, panel mounted, 230 V AC
100450K	K 100 H2O2	Hydrogen Peroxide, panel mounted, 230 V AC
105200K	K 100 W Cl2	Free Chlorine, wall mounted, 230 V AC
105250K	K 100 W ClO2	Chlorine dioxide, wall mounted, 230 V AC
105400K	K 100 W O3	Ozone, Wall mounted, 230 V AC
105450K	K 100 W H2O2	Hydrogen Peroxide, wall mounted, 230 V AC

Accessories

accessories

Modul RS 485

daughterboard "serial interface - RS 485" for measuring and control instruments K 400



K 100 (W) DES

Measuring and control instrument for pH value or ORP

Measuring point setup

