

## HEOL Line Heaters

The HEOL range of line heaters is suitable for heating all process fluids which are non-corrosive to the materials of construction. They provide a clean and efficient heating method for bulk liquid flow applications.

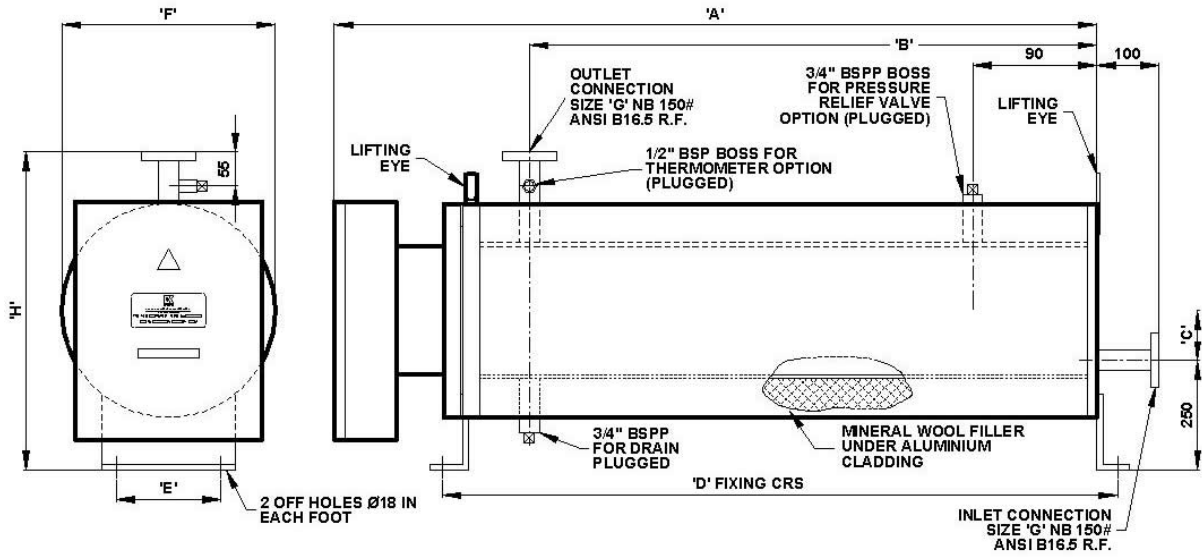


### FEATURES

- Thermal insulation and cladding
- Weatherproof terminal enclosure with protection to IP66
- Internal control thermostats and over-temperature thermostat
- Also available in flameproof construction for hazardous areas utilising the FP range
- Alternative materials of construction available
- Designed for horizontal installation (vertical mounting version available on request)

### TYPICAL APPLICATIONS

- Industrial washing and rinsing processes
- Indirect heating of liquids
- Engine jacket pre-heating
- Temperature maintenance of storage tanks
- Under floor heating schemes
- Lube oil pre-heating
- Fuel oil
- Heat transfer oils
- Tempering of low grade residual oils for burners and engines



Model	Loading (kW)	Dimensions (mm)							
		A	B	C	D	E	F	G	H
HEOL 1/3	3	995	640	50	865	220	290	40	526
HEOL 2/6	6	995	640	50	865	220	290	40	526
HEOL 3/9	9	1395	640	50	865	220	290	40	526
HEOL 3/12	12	1395	1040	50	1265	220	290	40	526
HEOL 3/15	15	1705	1040	50	1265	220	290	40	526
HEOL 3/18	18	1705	1350	50	1575	220	290	40	526
HEOL 6/24	24	1195	835	75	1060	260	353	40	575
HEOL 6/30	30	1395	1035	75	1260	260	353	40	575
HEOL 6/36	36	1595	1235	75	1460	260	353	40	575
HEOL 6/42	42	1795	1435	75	1660	260	353	40	575
HEOL 6/48	48	1995	1635	75	1860	260	353	40	575
HEOL 9/54	54	1595	1235	75	1460	300	416	40	628
HEOL 9/63	63	1795	1435	75	1660	300	416	40	628
HEOL 9/72	72	1995	1635	75	1860	300	416	40	628
HEOL 9/81	81	2195	1835	75	2060	300	416	40	628

\*Also available in flameproof construction and certified to ATEX / IECEx, CSA, CU TR, KGS, Inmetro, CNEx, CCOE

<b>Construction</b>	Weatherproof protection to IP66
<b>Element</b>	Removable ceramic core type housed in mild steel or 316 stainless steel, or cartridge type housed in 316 stainless steel
<b>Working Pressure</b>	Up to 10 barg / 145 psig, subject to design parameters
<b>Design Code</b>	Sound Engineering Practice (SEP)
<b>Vessel</b>	Mild steel or 316 stainless steel
<b>Insulation</b>	Mineral wool
<b>Cladding</b>	Stucco aluminium
<b>Voltage</b>	Standard supplies up to 690V, subject to design parameters
<b>Rating</b>	Up to 120kW (subject to application)