

HB Rod-Type Industrial Immersion Heaters

The HB range of screwed or flanged immersion heaters is an inexpensive solution for all commercial and industrial hot water cylinders, process tank heating, cooling tower frost protection and other applications which are non-corrosive to the materials of construction. The HB range of heaters can be supplied with an adjustable control thermostat scaled to suit the specific application.

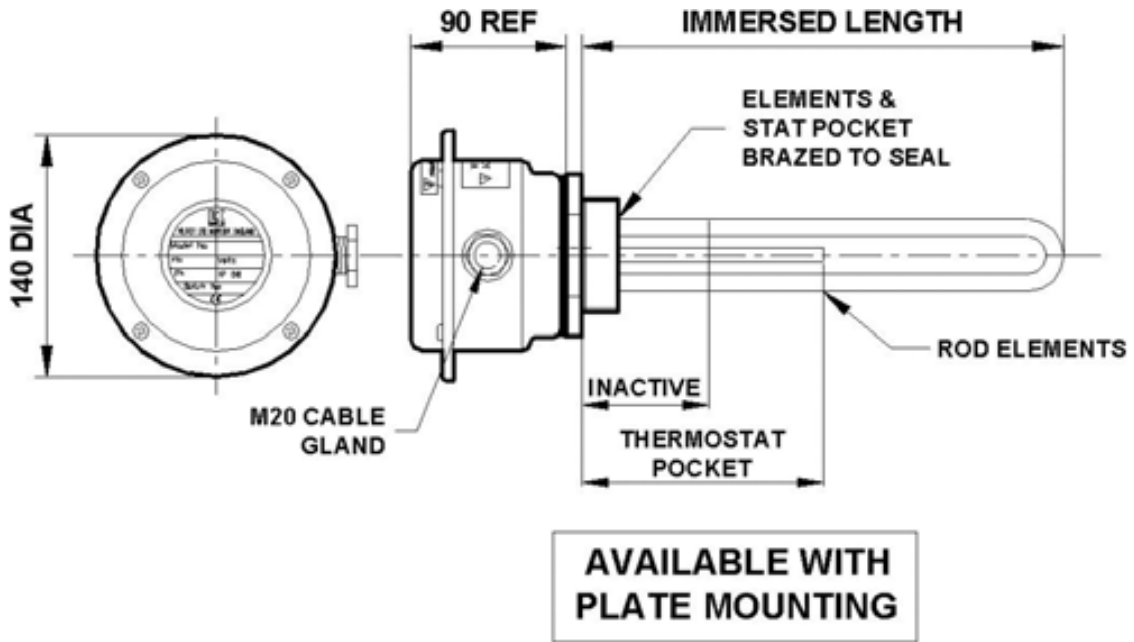


FEATURES

- Certified weatherproof to IP66
- Robust lightweight aluminium or mild steel enclosure
- Fitted with control and limit (on request) thermostats
- Suitable for working pressures of up to 8 barg (higher working pressures are available on request)
- All stock coded models fitted with Incoloy 825 elements and 2-off stainless steel thermostat pockets
- Terminal box can be rotated through 360 degrees to allow final cable entry position to be chosen
- Heavy duty brass fixing boss screwed 2", 2¼" or 2½" BSPP, alternatively supplied with square mounting flange
- Up to two cable entries (standard 1-off)
- Standard immersion heaters are designed for horizontal installation (heaters for vertical installation are available on request)

TYPICAL APPLICATIONS

- Hot water storage tanks
- Pre-heating oil and water
- Food processing equipment
- Cleaning and rinsing equipment
- Heat transfer, process and boiler equipment
- Frost protection



Heat is transferred to the liquid by means of Incoloy 825 sheathed heating elements with automatic control being achieved by the integral adjustable thermostat.

Units marked * have been designed for use where space is limited. These have high flux ratings which should be considered when selecting heaters. Two thermostat pockets are fitted as standard to facilitate optional safety limit thermostat when required.

List No. 2" BSP Fixing	List No. 2 1/4" BSP Fixing	List No. 95mm Plate	Loading (kW)			Phase	Immersed Length	
			220/380V	240/415V	254/440V		Ins	mm
HBY 111/B	HBY 111/A	HBY 111/S	0.84	1.00	1.12	1	11	280
HBY216/B	HBY 216/A	HBY 216/S	1.68	2.00	2.24	1	16	406
HBY311/B	HBY 311/A	HBY 311/S	2.52	3.00	3.36	1/3	11	280
	HBY 330/A	HBY 330/S	2.52	3.00	3.36	1/3	30	762
	HBY 411/A	HBY 411/S	3.36	*4.00	*4.48	1/3	11	280
	HBY 416/A	HBY 416/S	3.36	4.00	4.48	1/3	16	406
HBY 616/B	HBY 616/A	HBY 616/S	5.04	*6.00	*6.72	1/3	16	406
	HBY 630/A	HBY 630/S	5.04	6.00	6.72	1/3	30	726
	HBY 642/A	HBY 642/S	5.04	6.00	6.72	1/3	42	1067
	HBY 724/A	HBY 724/S	5.88	7.00	7.84	1/3	24	610
	HBY 916/A	HBY 916/S	*7.56	9.00	*10.08	1/3	16	406
	HBY 923/A	HBY 923/S	7.56	9.00	*10.08	1/3	23	584
HBY 926/B	HBY 926/A	HBY 926/S	7.56	9.00	*10.08	1/3	26	660
	HBY 936/A	HBY 936/S	7.56	9.00	10.08	1/3	36	914
	HBY 1223/A	HBY 1223/S	*10.08	*12.00	*13.34	1/3	23	584
HBY1233/B	HBY 1233/A	HBY 1233/S	10.08	12.00	*13.34	1/3	33	838