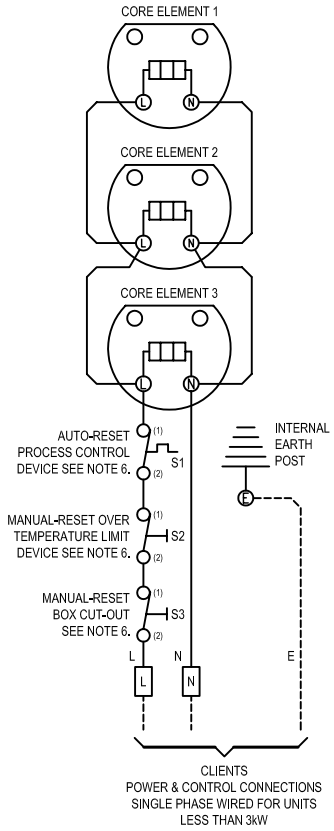
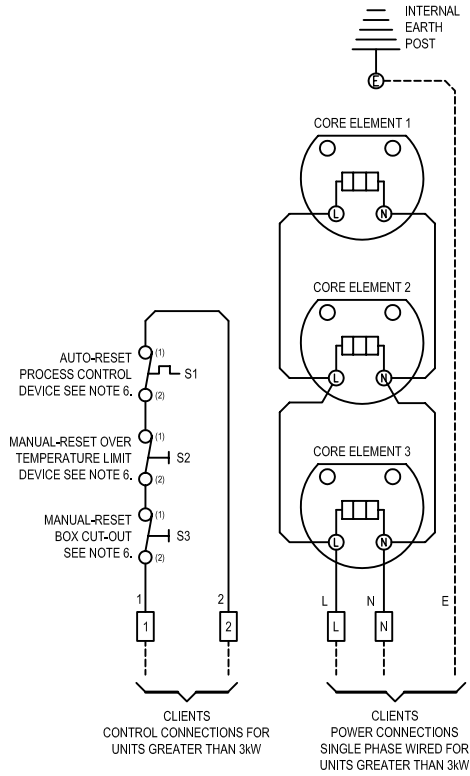


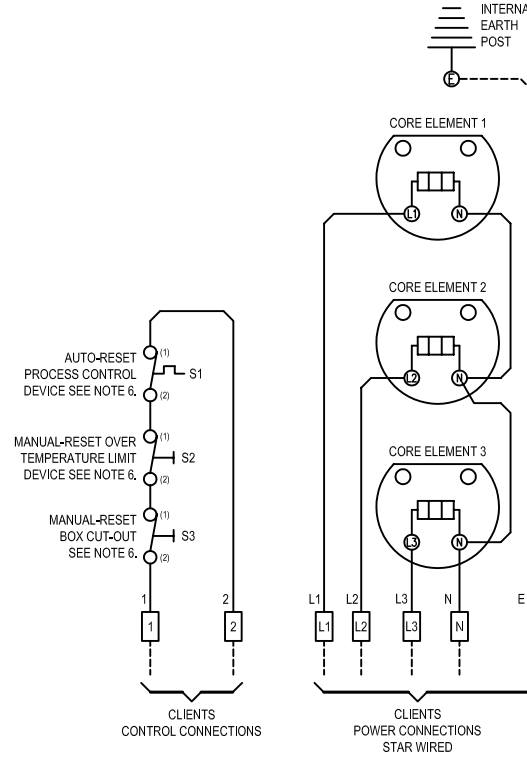
WIRING DIAGRAM TYPE 'A3'



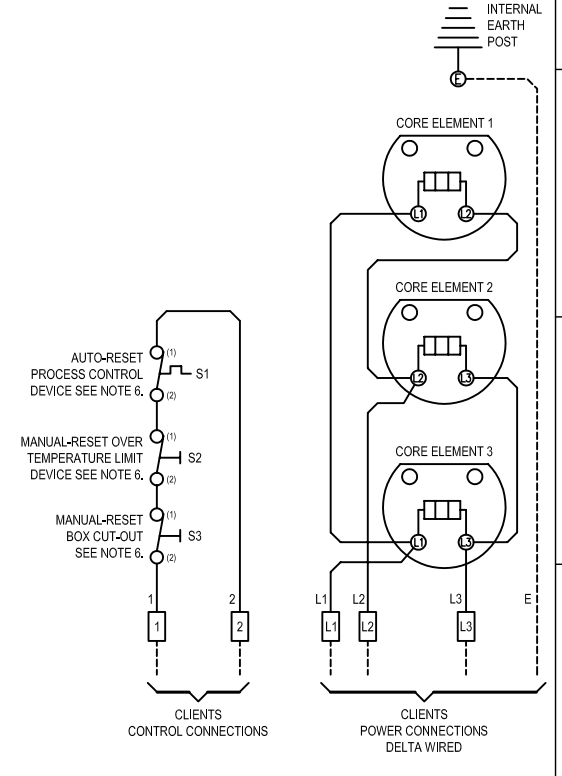
WIRING DIAGRAM TYPE 'B3'



WIRING DIAGRAM TYPE 'C3'



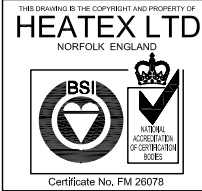
WIRING DIAGRAM TYPE 'D3'



NOTES

1. FOR FURTHER DETAILS SEE APPROPRIATE GENERAL ARRANGEMENT.
2. ——— = DENOTES INTERNAL WIRING BY HEATEX.
3. - - - - = DENOTES EXTERNAL WIRING BY CLIENT.
4. □ = DENOTES CLIENTS TERMINATION.
5. CORE ELEMENT CONNECTIONS MAY DIFFER FROM AS SHOWN.
6. HEATER MUST HAVE A MINIMUM OF 1 OFF EITHER OVER TEMPERATURE THERMOSTAT or CUT-OUT WHICH MUST BE MANUALLY RESET BY EITHER:
 - a) DEVICE BEING AUTO-RESET, MANUALLY RESET AT THE CONTROL PANEL BY KEY SWITCH or OTHER SPECIAL TOOL.
 - b) DEVICE BEING MANUAL RESET INSIDE TERMINAL BOX. (PLEASE REFER TO NOTE 5 ON APPROPRIATE GENERAL ARRANGEMENT.)
7. EXTERNAL EARTH POST IS PROVIDED FOR CLIENTS BONDING CONNECTION.
8. FOR CABLE ENTRIES DETAILS SEE NOTE 8 ON APPROPRIATE GENERAL ARRANGEMENT.

REV.	COMMENTS	DATE	DRWN	CHKD	APPR
1	FIRST ISSUE	30/01/04	MJP	KC	RW



SCALE NOT TO SCALE	
3rd ANGLE PROJECTION	
TOLERANCES UNLESS OTHERWISE STATED	
0	: 1.5mm
0.0	: 0.5mm
0.00	: 0.25mm
0.000	: 0.1mm
ANGULAR	: 2°

ALL DIMENSIONS IN MILLIMETRES UNLESS OTHERWISE STATED
DO NOT SCALE!
IF IN DOUBT, ASK!
WHERE ELECTRONIC DOCUMENTS ARE SUPPLIED, THE END PRODUCT MUST CONFORM TO THE PAPER ORIGINAL.

TITLE			
FP-C SERIES FLAMEPROOF INDUSTRIAL IMMERSION HEATER THREE CORE TYPE WIRING DIAGRAM			
STOCK CODE No.	HEATEX DRAWING No.	SHEET No.	REV
	3034-01-S1	12 of 16	01
PRODUCT: FP SERIES FLAMEPROOF IMMERSION HEATER		FORMAT: Acrobat PDF	