

- NOTES**
- RATING AND SUPPLY -
 - PROCESS FIXING -
 - ENCLOSURE - RFA (CAST ALUMINIUM IP67)
 - ELEMENT(S) -
 - THERMOSTAT POCKET(S) -
 - HEATER SPECIFICATION :
 II 2G EEx'd IIC FLAMEPROOF HEATER EN50014 AND EN50018 GROUP IIC. SEE TABLE 'A' FOR TEMPERATURE CLASS. CERTIFICATE No LCIE 99 ATEX 6006X
 - CONTROLS -
 S1
 S2
 S3
 - HEATERS MUST HAVE A MINIMUM OF 1 OFF EITHER OVER-TEMPERATURE THERMOSTAT or CUTOUT WHICH MUST BE MANUALLY RESET BY EITHER :
 a) DEVICE BEING AUTO RESET, MANUALLY RESET AT THE CONTROL PANEL BY KEY SWITCH or SPECIAL TOOL.
 b) DEVICE BEING MANUAL RESET INSIDE TERMINAL BOX.
 - CABLE ENTRIES - (SUPPLIED PLUGGED)
 - MAX. OPERATING PRESSURE -
 - FINISH :
 TERMINAL BOX PAINTED TO HEATEX SPEC 3003-01-61 APPENDIX 'A' SYSTEM 7 RAL 3002 (RED).
 REMAINDER NATURAL.
 - REFER TO WIRING DIAGRAM TYPE

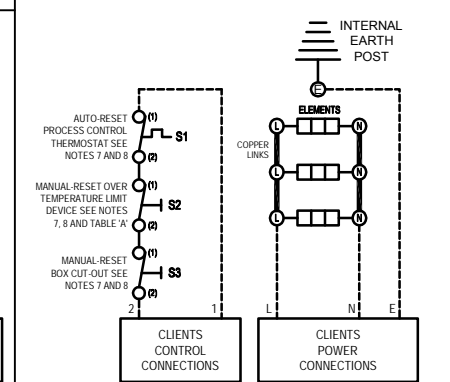
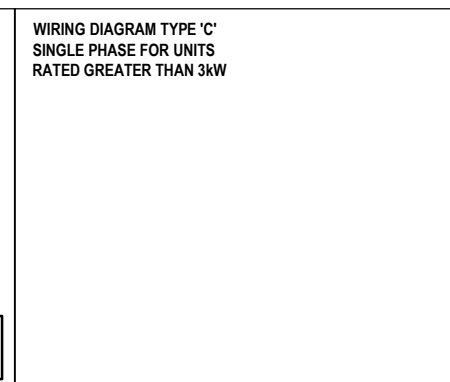
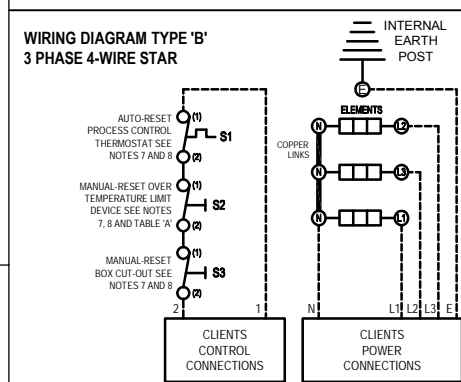
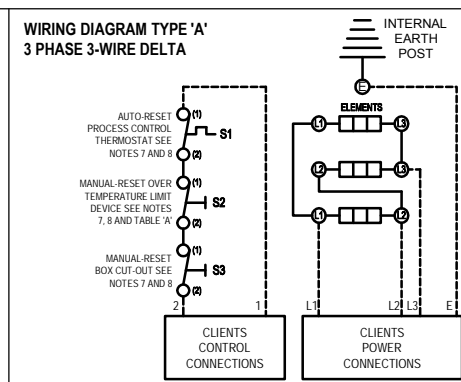
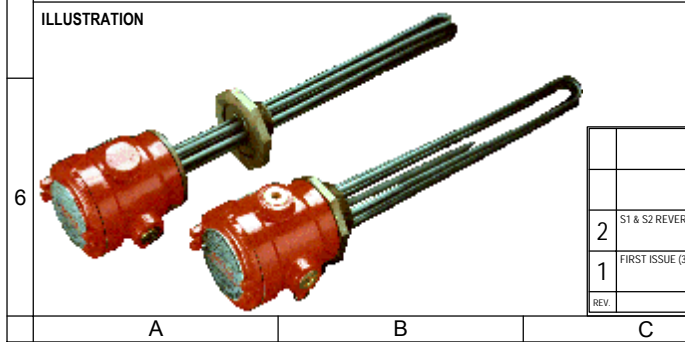


TABLE 'A'

LIMIT DEVICE MAX. SET POINTS (°C)		
T6	70°C	70°C
T5	90°C	85°C
T4	100°C	90°C
'T' CLASS	RFA1	RFA2

2	S1 & S2 REVERSED.	22/04/04	MJP	RW	RW
1	FIRST ISSUE (3006-02-S1-01 SH2)	10/02/04	MJP	GB	RW
REV.	COMMENTS	DATE	DRWN	CHKD	APPR



THIS DRAWING IS THE COPYRIGHT AND PROPERTY OF
HEATEX LTD
 NORFOLK ENGLAND

SCALE NOT TO SCALE
 3rd ANGLE PROJECTION

ALL DIMENSIONS IN MILLIMETRES UNLESS OTHERWISE STATED

DO NOT SCALE!

IF IN DOUBT, ASK!

WHERE ELECTRONIC DOCUMENTS ARE SUPPLIED, THE END PRODUCT MUST CONFORM TO THE PAPER ORIGINAL.

PRODUCT: RFA SERIES FLAMEPROOF IMMERSION HEATER

ANGULAR: 2'

TITLE

RFA SERIES STAND-OFF ROD TYPE FLAMEPROOF IMMERSION HEATER GENERAL ARRANGEMENT

STOCK CODE No.	
HEATEX DRAWING No.	
SHEET No.	02 of 04
REV	02

FORMAT: Acrobat PDF